

Your Propeller education begins here . . .

Explore the power of the multiprocessing Propeller™ chip with this kit and free software and lab experiments to download from www.parallax.com.

- [] 40-pin DIP Version - #32305
- [X] PropStick USB Version - #32306

PROPELLER EDUCATION KIT



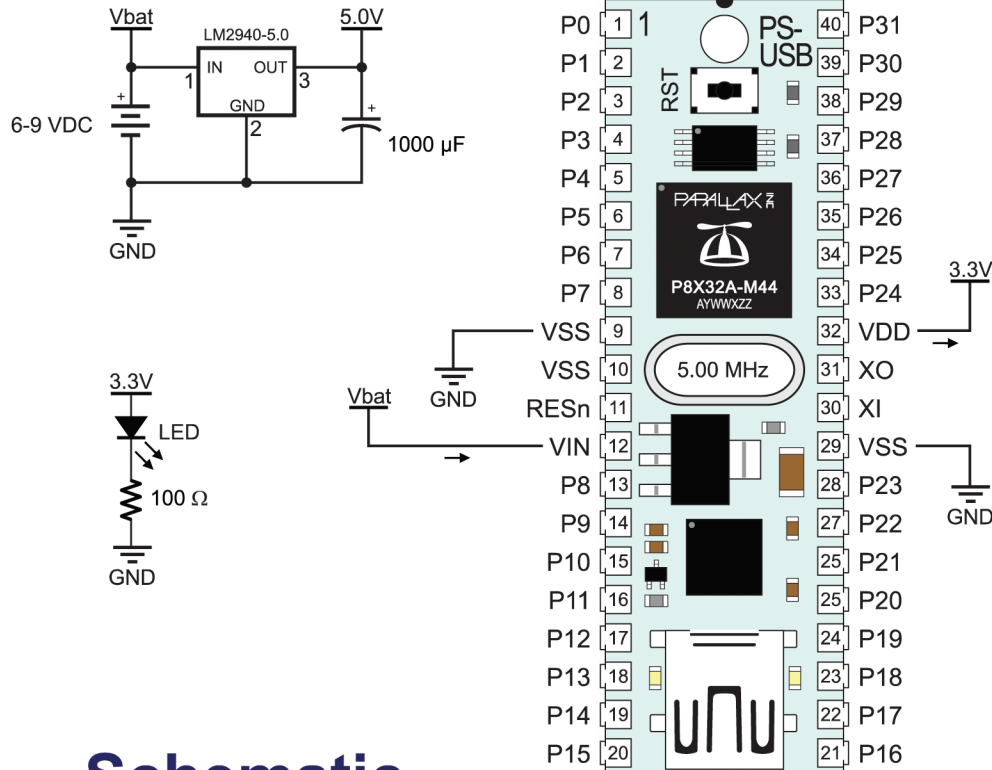
System: Windows 2K/XP/Vista and a USB Port. Copyright © Parallax Inc. 2008.



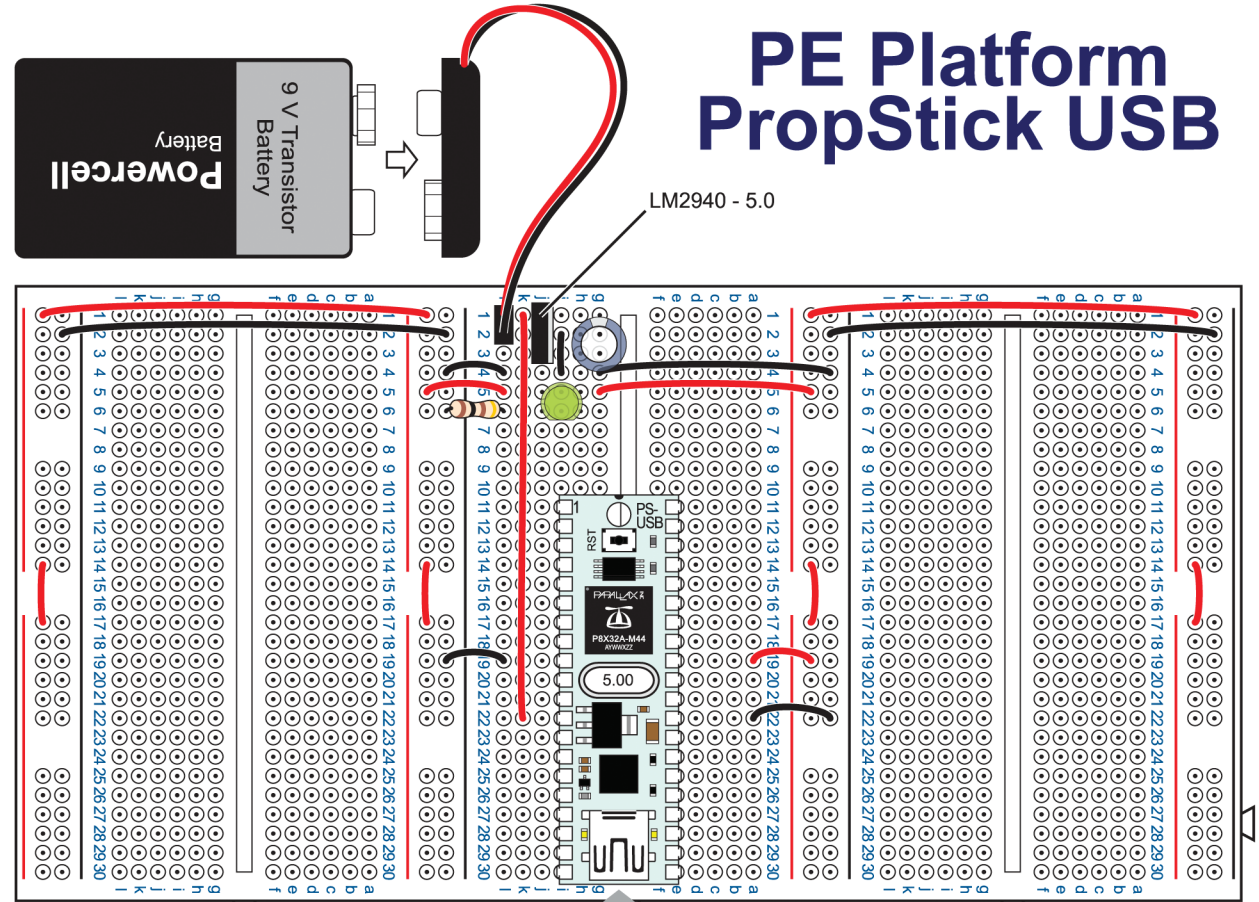
Propeller Education Kit



Download the [Setup and Testing Lab](#) from the Parallax web site's Propeller Education Kit page at www.parallax.com, and follow the instructions.



Schematic



Wiring Diagram

PE Platform PropStick USB

